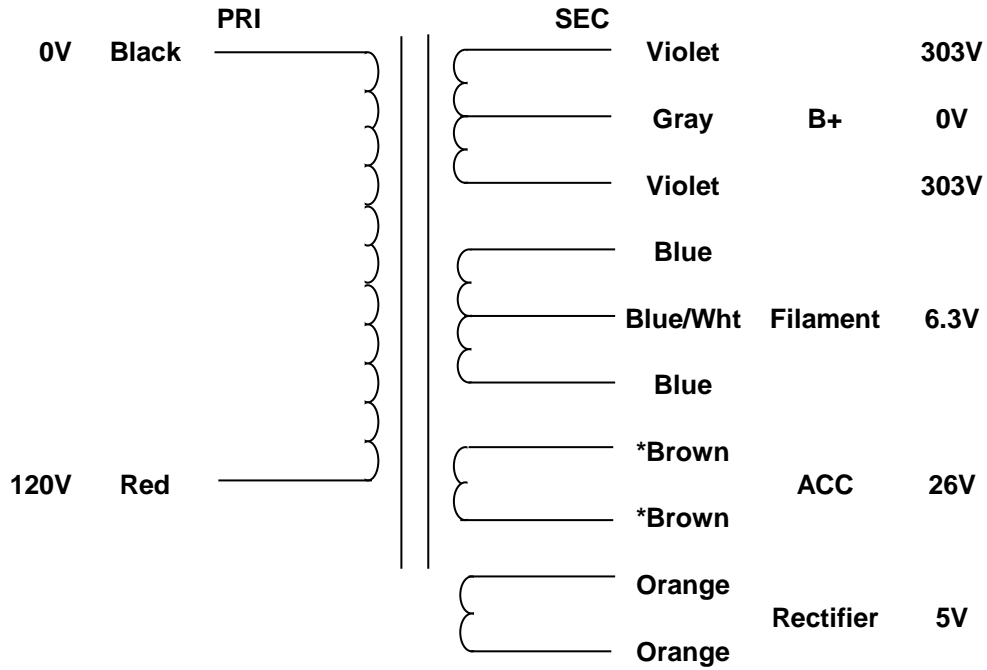




APS VXP-30 POWER TRANSFORMER



**If you do not use the accessory winding, cut or float the two Brown wires.*