



Mercury Magnetics

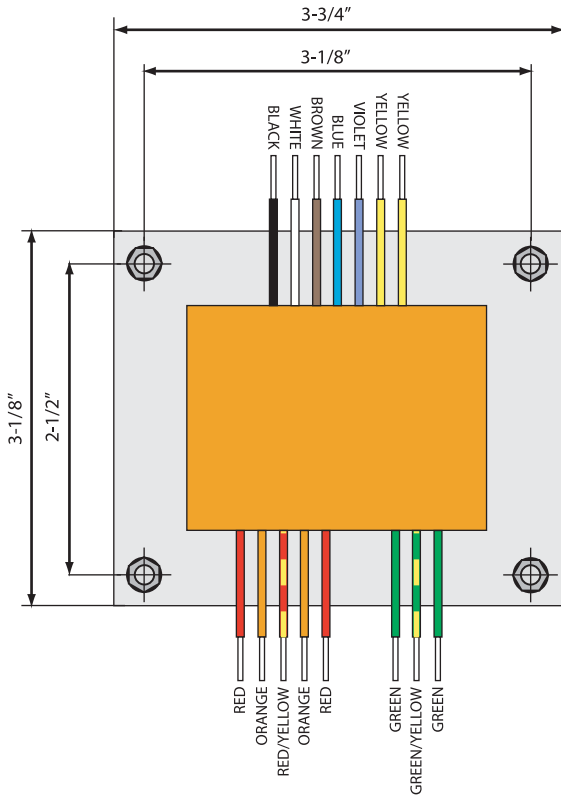
9167 Independence Ave. • Chatsworth, CA 91311

(818) 998-7791 • FAX (818) 998-7835

info@MercuryMagnetics.com • www.MercuryMagnetics.com

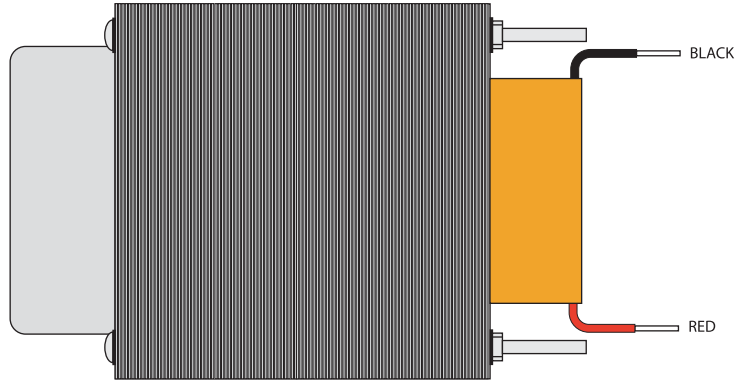
100% of our products are designed & handmade in So. California, USA. • Established in 1954

JTM45-RI-PM

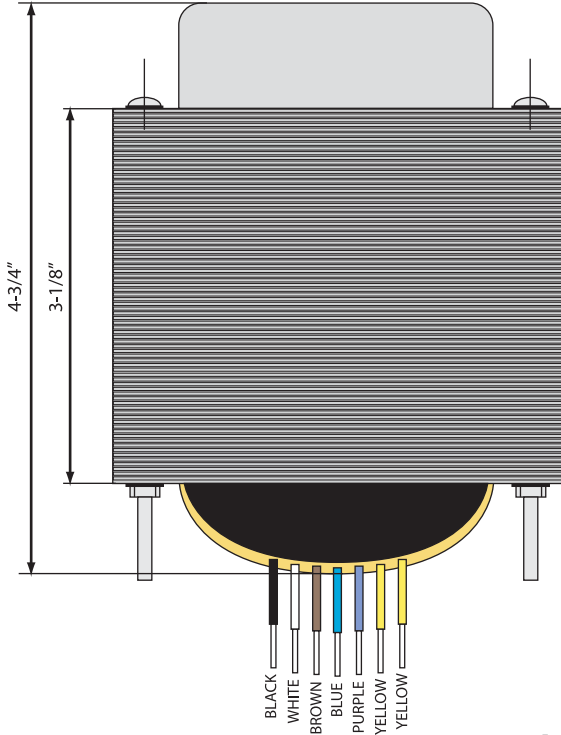


Axiom[®]

Next-generation guitar amplifier transformers **Mercury MAGNETICS**



(All dimensions are nominal)

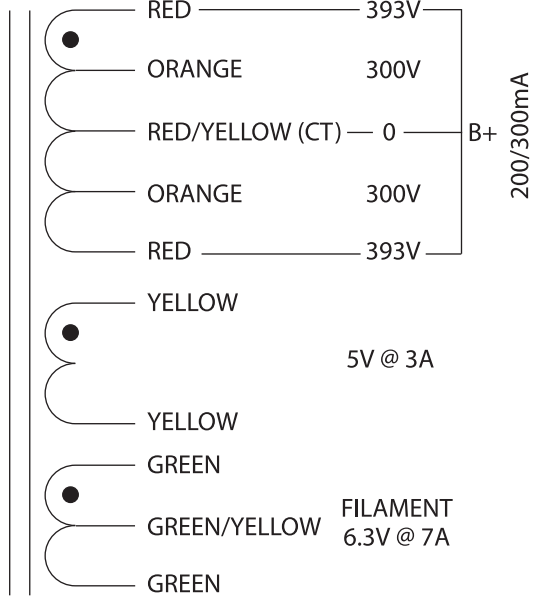


Note: Black dots indicate polarity—start of winding

- 0V BLACK
- 100V BLACK/WHITE
- 120V WHITE
- 220V BROWN
- 230V BLUE
- 240V VIOLET

Note: Red B+ leads will give you an approximately loaded 440-450 B+. Orange B+ leads will give you a lower B+ which can be used with other types of power tubes. Orange B+ leads will give you an approximate 335-345 B+.

PRIMARY (INPUT)



SECONDARY (OUTPUT)

Marshall JTM45 (40–65 watts)

CLASS: Axiom[®]

TYPE: Power Transformer

PART NO.: JTM45-RI-PM

ORIGINAL MARSHALL PART NO: N/A

MOUNTING: Flat Mount (standard) other mounting styles available upon request

VA RATING: 110VA

DATE: 02-03-06 / 05-04-09R

JTM45-RI-PM